

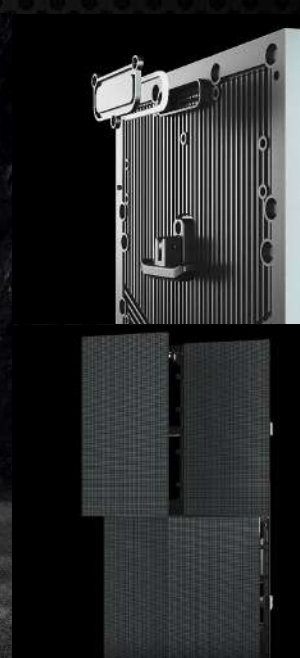
Indoor and Outdoor Rental Display Module 250mm*500mm series



500-T: 500mm*500mm

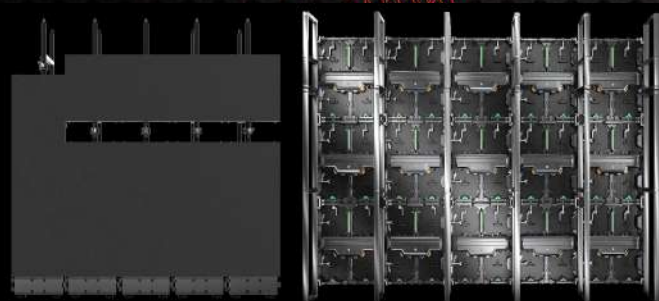


1000-T: 500mm*1000mm

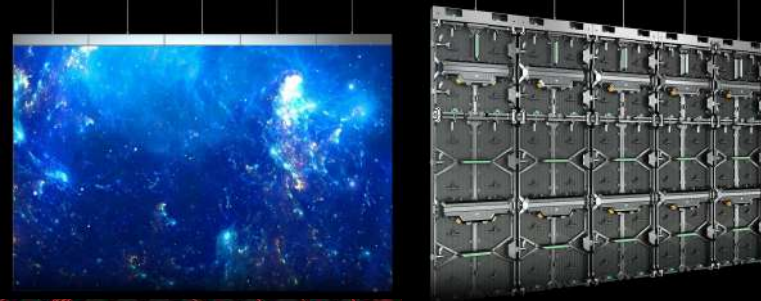


Product Features and Applications

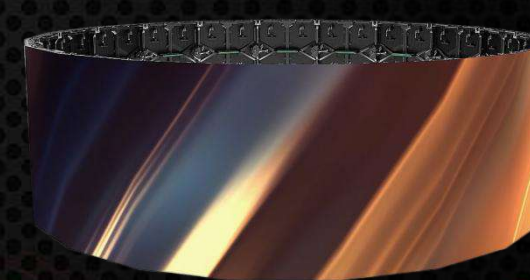
Indoor and outdoor LED display screens for rental, supporting front and rear maintenance; module and HUB board connection design, with extremely beautiful, high-end, sturdy and durable appearance, and super stability! High brightness, high contrast, and high energy efficiency, suitable for various occasions such as business meetings, stage performances, wedding ceremonies, etc. It can be spliced into various shapes (flat, inner arc, outer arc, wave-like, etc.) according to site needs, with rapid assembly and extremely convenient on-site emergency maintenance!



Back frame installation

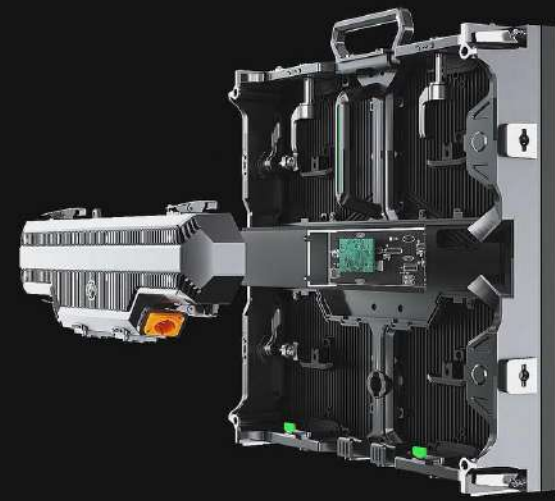


Suspension installation



Circular Installation

500mm*500mm Indoor Canbinit Specification



Model	P1.953	P2.5	P2.604	P2.976	P3.91	P4.81
Usage	Indoor					
LEDs	SMD 1515	SMD 1515	SMD 1515	SMD2020	SMD 2020	SMD 2020
Pixel Pitch (mm)	1.953	2.5	2.604	2.976	3.91	4.81
Brightness (nits)	800	800	800	800	800	800
Cnbinit Size (mm)	500 x 500 x 90					
Resolution (dots)	256 x 256	200 x 200	192 x 192	172 x 172	128 x 128	104 x 104
Cnbinit Weight (kg)	6.5					
Design	3.8-5V					
Scan Mode	1/32	1/34	1/24	1/28	1/16	1/13
Color Temperature (K)	6000-8000					
Refresh Rate (Hz)	≥ 3840					
Maintenance Method	Front and Rear Service					
Gray Scale	8192 (levels per color)					
Processing Depth (bit)	13					
Cnbinit Power Maximum (W/pcs)	120	120	120	120	120	120
Degree of Protection	Front IP43					
Working Temperature (°C)	-20~+50					
Working Humidity (%RH)	0~70					
Storage Temperature (°C)	-30~+60					
Storage Humidity (%RH)	0~80					
Viewing Angle (°)	Horizontal 160 / Vertical 160					
Life Time (Hours)	≥100,000					

500mm*500mm **Outdoor** Canbinit Specification



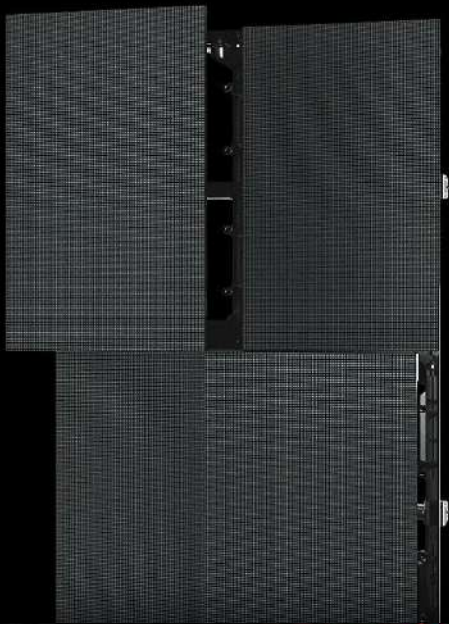
Model	P2.604	P2.976	P3.91	P4.81
Usage	Outdoor			
LEDs	SMD 1415	SMD1415	SMD 1921	SMD 1921
Pixel Pitch (mm)	2.604	2.976	3.91	4.81
Brightness (nits)	5000	5000	5000	5000
Cnbinit Size (mm)	500 x 500 x 90			
Resolution (dots)	192 x 192	172x 172	128 x 128	104 x 104
Cnbinit Weight (kg)	7.5			
Design	3.8-5V			
Scan Mode	1/24	1/21	1/8	1/7
Color Temperature (K)	6000-8000			
Refresh Rate (Hz)	≥ 3840			
Maintenance Method	Front and Rear Service			
Gray Scale	8192 (levels per color)			
Processing Depth (bit)	16			
Cnbinit Power Maximum (W/pcs)	170	170	170	170
Degree of Protection	IP65			
Working Temperature (°C)	-20~+50			
Working Humidity (%RH)	0~70			
Storage Temperature (°C)	-30~+60			
Storage Humidity (%RH)	0~80			
Viewing Angle (°)	Horizontal 160 / Vertical 160			
Life Time (Hours)	≥100,000			

500mm*1000mm **Indoor** Canbinit Specification



Model	P1.953	P2.5	P2.604	P2.976	P3.91	P4.81
Usage	Indoor					
LEDs	SMD 1515	SMD 1515	SMD 1515	SMD2020	SMD 2020	SMD 2020
Pixel Pitch (mm)	1.953	2.5	2.604	2.976	3.91	4.81
Brightness (nits)	800	800	800	800	800	800
Cnbinit Size (mm)	500 x 1000 x 90					
Resolution (dots)	256 x 512	200 x 400	192 x 384	172 x 344	128 x 256	104 x 208
Cnbinit Weight (kg)	12					
Design	3.8-5V					
Scan Mode	1/32	1/34	1/24	1/28	1/16	1/13
Color Temperature (K)	6000-8000					
Refresh Rate (Hz)	≥ 3840					
Maintenance Method	Front and Rear Service					
Gray Scale	8192 (levels per color)					
Processing Depth (bit)	13					
Cnbinit Power Maximum (W/pcs)	240	240	240	240	240	240
Degree of Protection	Front IP43					
Working Temperature (°C)	-20~+50					
Working Humidity (%RH)	0~70					
Storage Temperature (°C)	-30~+60					
Storage Humidity (%RH)	0~80					
Viewing Angle (°)	Horizontal 160 / Vertical 160					
Life Time (Hours)	≥100,000					

500mm*1000mm **Outdoor** Canbinit Specification



Model	P2.604	P2.976	P3.91	P4.81
Usage	Outdoor			
LEDs	SMD 1415	SMD1415	SMD 1921	SMD 1921
Pixel Pitch (mm)	2.604	2.976	3.91	4.81
Brightness (nits)	5000	5000	5000	5000
Cnbinit Size (mm)	500 x 500 x 90			
Resolution (dots)	192 x 384	172 x 344	128 x 256	104 x 208
Cnbinit Weight (kg)	15			
Design	3.8-5V			
Scan Mode	1/24	1/21	1/8	1/7
Color Temperature (K)	6000-8000			
Refresh Rate (Hz)	≥ 3840			
Maintenance Method	Front and Rear Service			
Gray Scale	8192 (levels per color)			
Processing Depth (bit)	16			
Cnbinit Power Maximum (W/pcs)	340	340	340	340
Degree of Protection	IP65			
Working Temperature (°C)	-20~+50			
Working Humidity (%RH)	0~70			
Storage Temperature (°C)	-30~+60			
Storage Humidity (%RH)	0~80			
Viewing Angle (°)	Horizontal 160 / Vertical 160			
Life Time (Hours)	≥100,000			

Application



Concert



Theatrical performance



Wedding Ceremony



Large-scale Forum



Professional Display

Illuminating the Visionary World